

# PEDECK

## SELF LEVELLING PED41-66

Each support is composed of a threaded head section, incorporating four spacer fins (4mm in width) for tile or paver systems.

The spacer fins for paver's are designed to allow easy removal where not required, for example where support is required under the centre of a large tile, or at edges.



Partly Recycled  
& Fully Recyclable



1° - 5° Degree  
Fall Adjustment



Fully Adjustable  
41mm to 66mm



No Fixings Or  
Adhesive Required



2 Year  
Guarantee\*

An easy to operate threaded adjustment ring makes raising or lowering the support head quick and precise.

A large 200mm (8") base plate provides stable support on most surfaces. An optional acoustic rubber base pad is available for use on membranes, etc. We recommend the use of our optional acoustic cushioning ring for tile and paver installations, as these help to bed corners securely and reduce transmitted noise through the support system.

All versions of the range are designed with water drainage holes or channels, as appropriate, to prevent the build-up of stagnant water.

|                         |  |
|-------------------------|--|
| Material                | Polypropylene  |
| Surface Composition     | 4no x 4mm removable spacing tabs                                 |
| Under Side Composition  | Smooth underside with drainage channels.<br>Base pad recommended |
| Side Composition        | Handle thread for adjustment, no key required                    |
| Height Range            | 41-66mm – 25mm, 50mm & 100mm ext available                       |
| Dimensional Information | 120mm diameter head / 200mm diameter base                        |
| Compression Resistance  | 14kN = 1.4T of point load pressure = 4T/m2 weight                |
| Water Drainage          | Integrated drainage channels on underside                        |

For more information please contact us.

## AVAILABLE SYSTEM COMPONENTS



|             |                    |
|-------------|--------------------|
| Description | 25mm Extension     |
| Dimensions  | 48mm x 48mm x 25mm |
| Weight      | 0.044kg            |

---



|             |                    |
|-------------|--------------------|
| Description | 50mm Extension     |
| Dimensions  | 48mm x 48mm x 50mm |
| Weight      | 0.084kg            |

---



|             |                     |
|-------------|---------------------|
| Description | 100mm Extension     |
| Dimensions  | 48mm x 48mm x 100mm |
| Weight      | 0.167kg             |

---



|             |                     |
|-------------|---------------------|
| Description | Acoustic Shim       |
| Dimensions  | 120mm x 120mm x 3mm |
| Weight      | 0.025kg             |

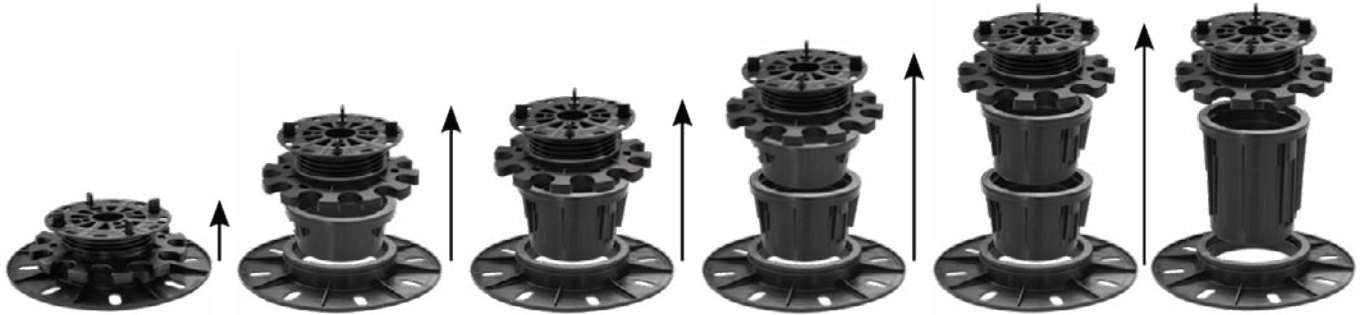
---



|             |                     |
|-------------|---------------------|
| Description | Base Pad            |
| Dimensions  | 200mm x 200mm x 3mm |
| Weight      | 0.08kg              |

# DETAIL INFORMATION

## Extendability Examples



35 to 60mm

60 to 85mm  
1 x 25mm extender

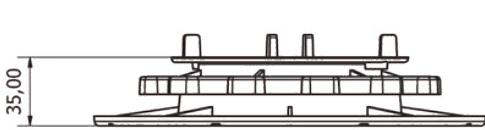
85 to 110mm  
1 x 50mm extender

110 to 135mm  
1 x 25mm extender

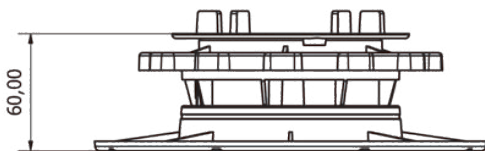
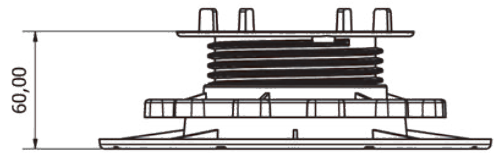
135 to 160mm  
2x 50mm extenders

135 to 60mm  
1 x 100mm extender

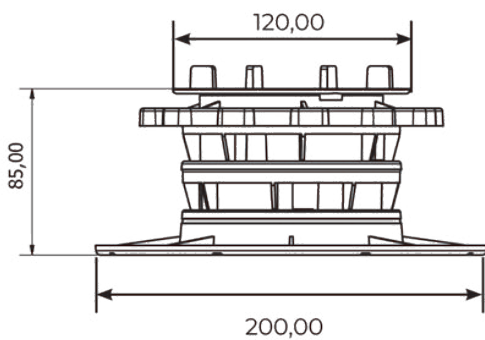
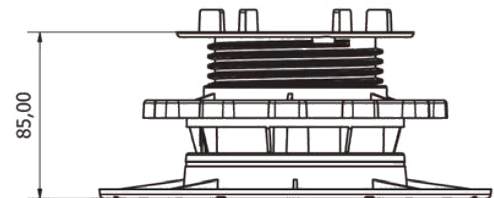
# LOAD TESTING INFORMATION



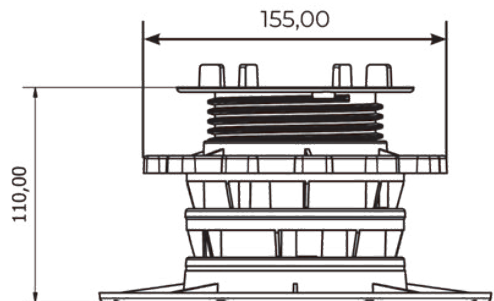
3560ML P-2  
3560ML P-4  
3560ML DF



3560ML P-2  
3560ML P-4  
3560ML DF  
with  
1 x EX25 Extension



3560ML P-2  
3560ML P-4  
3560ML DF  
with 2 x EX25 or  
1 x EX50 Extension



Height ranges can be adjusted to 500mm or more, as required, by using combinations of QuickClick Extensions.

# LOAD TESTING INFORMATION

The product was tested with a 150mm 'punch' diameter:

