

S-5![®]

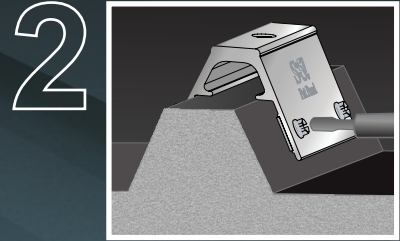
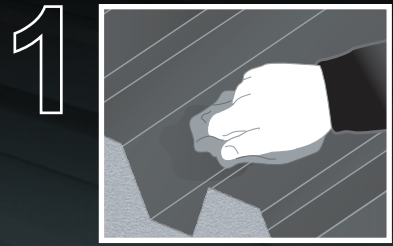
The Right Way!

TrapBracket[™]

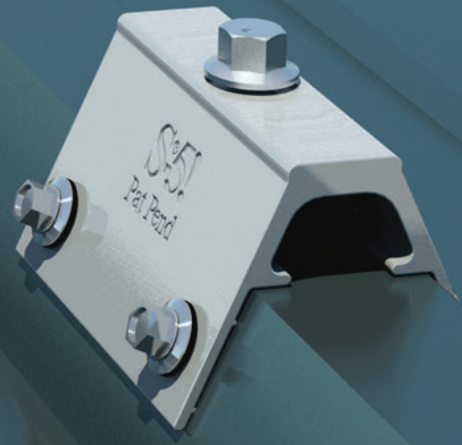
TrapBracket[™] can be used to mount almost anything to the Kingspan[®] KS1000 RW profile, or other similar exposed-fastened trapezoidal roof profiles. No messy sealants to apply! No chance for leaks! The TrapBracket comes with a factory-applied EPDM rubber gasket seal already on the base, and the S-5![®] patented reservoir conceals the EPDM from UV exposure, preventing drying and cracks.

Installation is simple! The TrapBracket is mounted directly onto the crown of the panel, straddling the profile. No surface preparation is necessary; simply wipe away excess oil and debris, align and apply. Secure through the pre-punched holes using the appropriate S-5![®] fasteners or Bulb-tite rivets for the supporting roof material.

TrapBracket is the perfect match for our S-5-PV Kit, or any other ancillary application, without worrying about cold bridging! TrapBracket is extremely economical and facilitates quick and easy installation.



TrapBracket[™]



S-5![®] TrapBracket[™] is the right way to attach almost anything to certain exposed-fastened trapezoidal roof profiles; including PV through DirectAttached[™] or Rail methods.

The right way to attach almost anything to metal roofs!

888-825-3432 | www.S-5.com

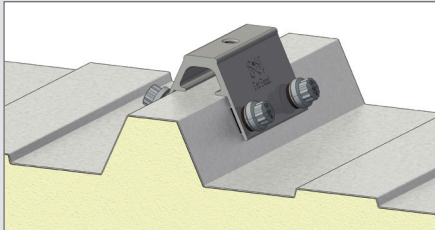
S-5![®]

The Right Way!

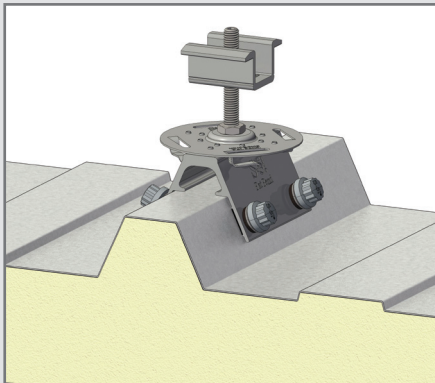
TrapBracket™ is the perfect attachment solution for specific trapezoidal exposed-fastened metal roofs! It can be used for almost any attachment need. No messy sealants to apply. The factory-applied EPDM rubber gasket weather-proofs and makes installation easy!

Each TrapBracket™ comes with a factory-applied EPDM rubber gasket on the base. A structural aluminum attachment bracket, TrapBracket is compatible with most common metal roofing materials. For design assistance, ask your distributor, or visit www.S-5.com for the independent lab test data that can be used for load-critical designs and applications. Also please visit our website for more information including metallurgical compatibilities and specifications. S-5![®] holding strength is unmatched in the industry.

Example Applications

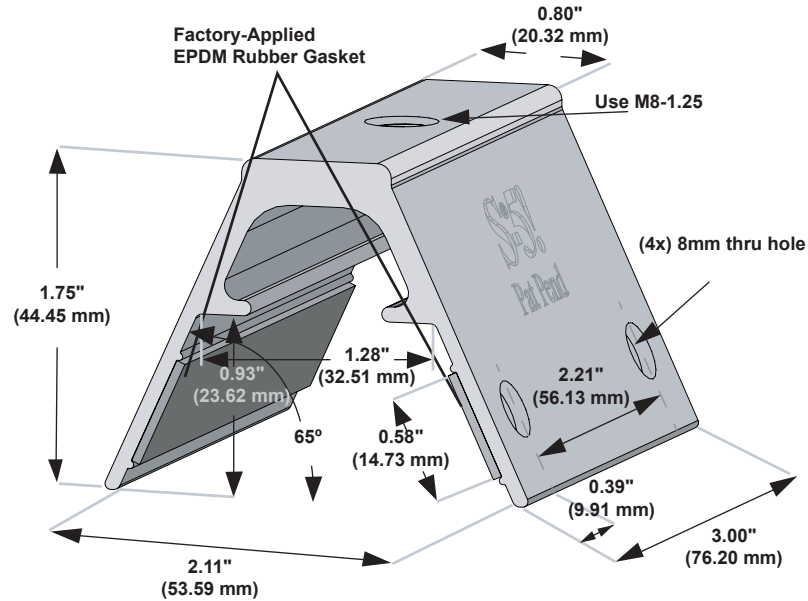


All 4 punched holes must be used to achieve tested strength. Due to varied applications, mounting hardware is not furnished with part.



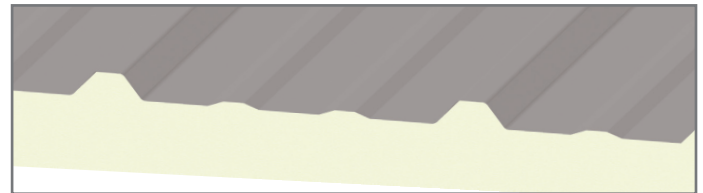
The above illustration demonstrates the TrapBracket with the S-5-PV Kit attached.

TrapBracket™



Please note: All measurements are rounded to the second decimal place.

Example Profile



S-5![®] Warning! Please use this product responsibly!

Products are protected by multiple U.S. and foreign patents. For published data regarding holding strength, fastener torque, patents and trademarks visit the S-5! website at www.S-5.com.

Copyright 2013, Metal Roof Innovations, Ltd.
S-5! aggressively protects its patents, trademarks and copyrights. Version 102212.

Distributed by