



whitesales

em.glaze™
skyvu



em.glaze™
skyvu

Product Overview
Aluminium Lantern

Slim sightlines deliver more glass and less frame, meaning maximum daylight in both contemporary or traditional styles.

Introducing the em.glaze skyvu, the stylish new aluminium roof lantern. Em.glaze skyvu offers a perfect blend of contemporary aesthetics, leading performance, and quick and simple installation, all from a name you can trust.

Like all Whitesales products, em.glaze skyvu is available on short lead times of just 3-5 days in standard sizes and colours.

With the glass and frame supplied together, and easy installation features, not only can it be ordered fast but fitting takes as little as 40 minutes.

em.glaze skyvu



U-Value
1.3 w/m²K

38mm
sightlines

Install in
40 mins

Part L
compliant

Weather
tested to
BS6375

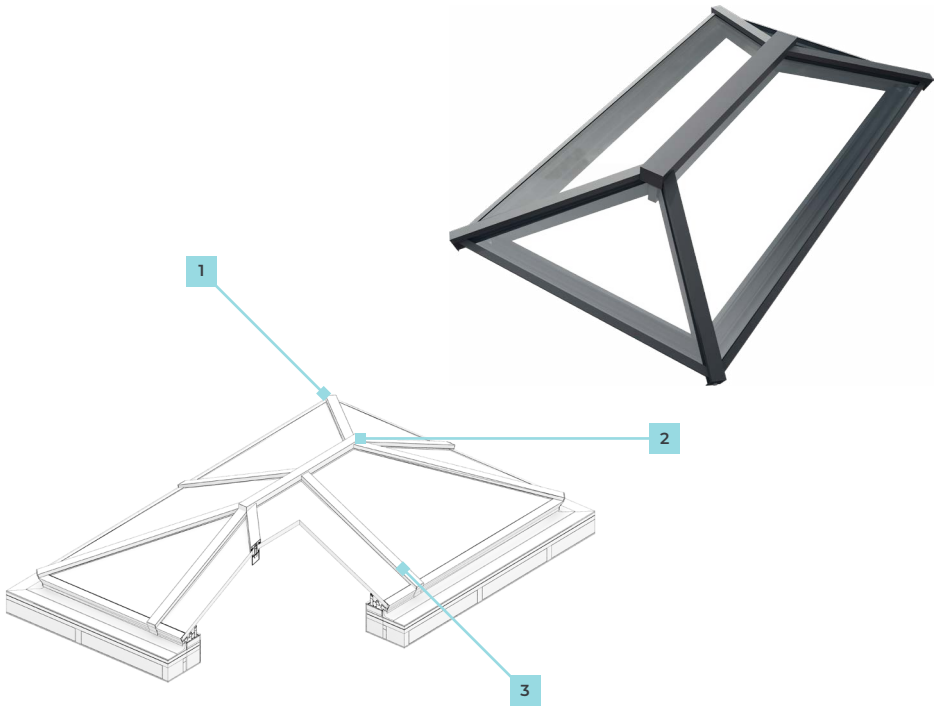
3-5 day
delivery

Key Features & Benefits

- **Slim and contemporary aesthetics** - 38mm internal rafters giving you less frame and more light
- Available in both **traditional and contemporary finishes**
- Multiple configuration options and **up to 4m in length** to suit all projects
- Fully tested to BS6375 for **maximum weather performance**
- **Low U-Values of 1.3W/m2K** for a warmer, more energy-efficient home
- **Part L Compliant** - Best of class, complying to the most stringent building regulations
- **Quick and simple installation** - with the frame and glass supplied together, installation is as little as 40 minutes
- **Fast supply straight to site** - Fast turnaround time, reducing delays and cutting time onsite
- **Easy ordering through RUFUS**, our digital configurator tool
- **3-5 days lead time from stock** - With typical standard sizes, configurations, and colours all in stock
- **6 stock sizes available** in single and dual colour options

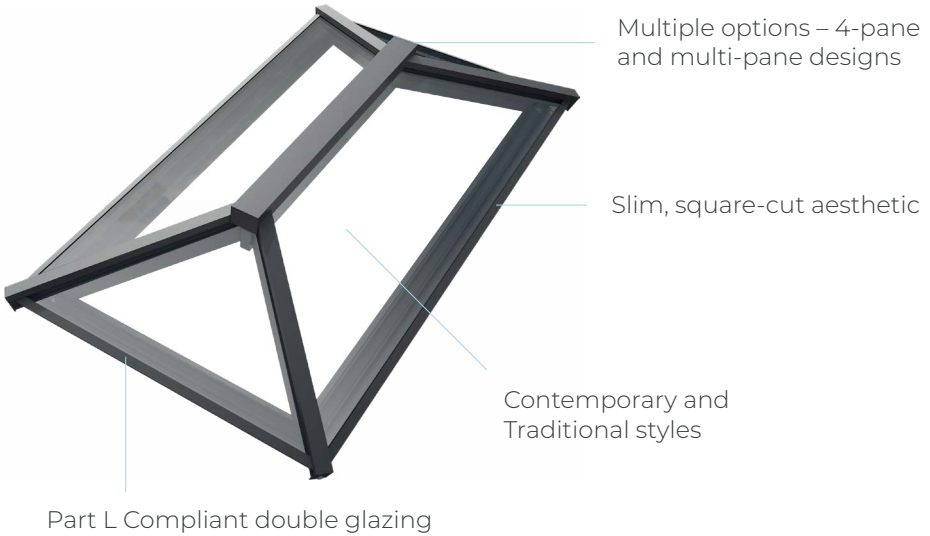


Specification Details



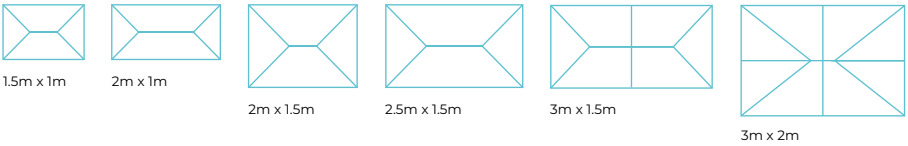
1	Frame	Aluminium
2	Apex Pitch	25 °
3	Sightlines	38mm
	U-Value	1.3 W/m ² k (overall U-Value)
	Weather Testing	To BS6375
	Frame Colour	Anthracite Grey, Black, White, Dual Colour as standard. Any RAL Colour non-stock.
	Glazing Options	Ambi-neutral self-cleaning glass Ambi-Blue Self-Cleaning Glass
	Upstand	To suit a timber upstand, fully weathered. 150mm off finished roof and 100mm wide.

Sizes & Styles



Dimensions

Stock sizes:



Style	A	B	C	D	E
Stock Size	1500 x 1000 2000 x 1000 2500 x 1500 2000 x 1500	3000 x 1500		3000 x 2000	

*Style A max size: 2500 x 1500. Bespoke configurations are available up to 4m in length to suit all projects.



2023

experience.brighter

Delivering on our promises, that is our focus – and it is what makes us the no.1 choice for professionals.

Nationwide coverage and 3-5 days delivery: Our delivery depot holds large volumes of stock, allowing us to supply orders at short notice – including next-day delivery if ordered by 2pm, in most cases.



Europa House, Alfold Road,
Cranleigh, GU6 8NQ
Tel: 01483 917580 | Fax: 01483 271771
sales@whitesales.co.uk | whitesales.co.uk

Opening Times: 07:30–16:30

